

1064nm High Power Polarization Maintaining Free Space Isolator

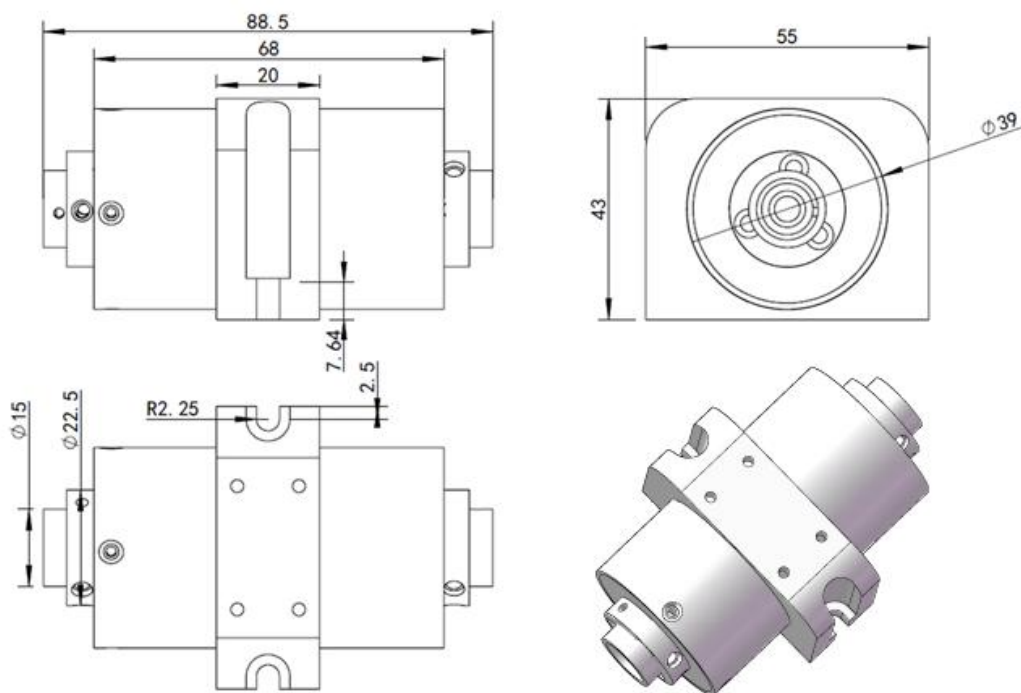
Specifications

Parameter	Unit	Specifications
Operating wavelength	nm	1030,1064, or customized
Aperture Diameter	mm	Φ5
Typ, Insertion loss, 23°C	dB	0.1
Insertion loss, $\lambda_c \pm 20\text{nm}$, 23°C	dB	≤ 0.4
Isolation, λ_c , 23°C (Output→Input)	dB	≥ 28
Extinction ratio, 23°C	dB	≥ 25
Max. power handling	W	100, 150, 200, 300 or customized
Operating temperature	°C	-5~ +50
Storage temperature	°C	-20 ~ +70
Dimensions (L*W*H)	mm	88.5*55*43

*Other specifications can be made on customer request.

*The polarization direction of the output light can be adjusted

Mechanical Dimension (Unit: mm)



Ordering Information

P/N:HPPMSI-XXXX-X-X-X-XX*XX

