

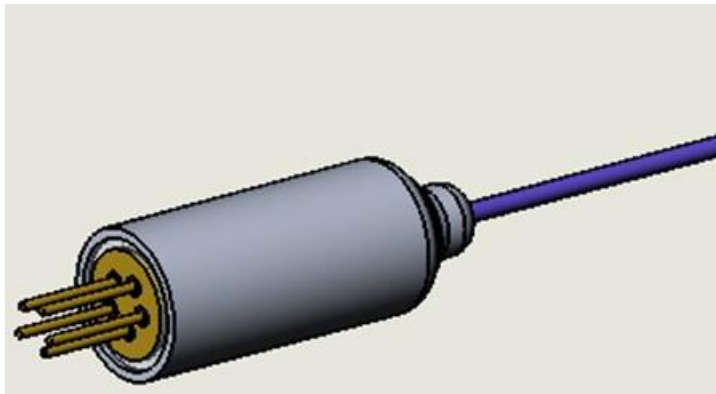
## LG-APD-50-1550-7.5-20-R01 Single APD 2.5Gb/s Receiver Module

### Description

Lightcomm's single APD 2.5Gb/s Receiver Module is coupled with 50/125 MM fiber by good reliability. The module have high sensitivity and speed.

### Features:

- 1、 5Pin coaxial package;
- 2、 3.3V single power supply Voltage ;
- 3、 pigtail: 50 $\mu$ m core with 0.22NA MM fiber
- 4、 High sensitivity;



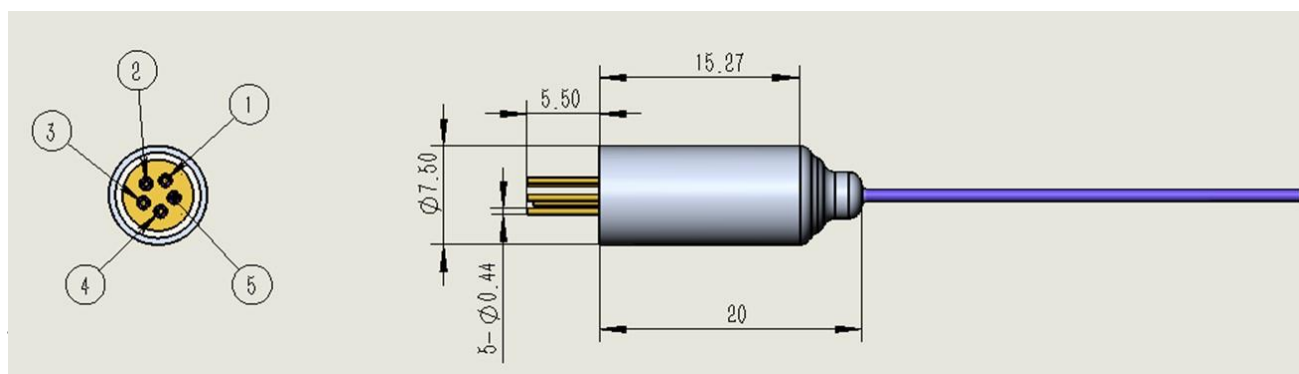
### Applications

- 1、 High-Speed optical transmission system for the module;
- 2、 Measurement instruments ;

### Specifications

Parameter (@25°C)	Test Condition	Symbol	Unit	LGG35W-976-R02		
				Min.	Typ.	Max.
APD Supply Voltage		Vr	V	-	-	Vbr
Detection range		$\lambda$	nm	1530	-	1560
Power Supply Voltage		Vcc	V	3	3.3	3.6
Fiber bend radius			mm	30	-	-
Storage Temperature		T <sub>storage</sub>	°C	-20	-	70
Soldering Temperature		T <sub>soldering</sub>	°C	-	-	260
Soldering Time		t	Second	-	-	10
Operating Temperature		T <sub>op</sub>	°C	-20	-	70
Breakdown Voltage	I <sub>dark</sub> =10uA,	Vbr	V	-	-	3.3

### Dimensions:



引脚 PIN	<b>1</b>	<b>2</b>	<b>3</b>	<b>4</b>	<b>5</b>
功能定义 Function	Vr	Vcc	OUT(-)	OUT(+)	GND

### Note:

- ◆ Invisible laser radiation. Avoid eye or skin exposure to direct or scattered radiation
- ◆ ESD protection must be taken during transportation, storage and use. Short-circuit between the pins during transportation and storage is a must.
- ◆ Avoid current surge when using
- ◆ Pin function need reference to customer's material .here only for reference .

### Ordering Information:

